



LIQUID-SOLID SEPARATION



FINE / **SLUDGE
DEWATERING
MACHINE**

FINE EQUIPMENTS (India) Pvt. Ltd.

Survey No. 15, Behind Shroff Shrushti, Off Mumbai Bangalore Highway, Mahalunge, Pune - 411045

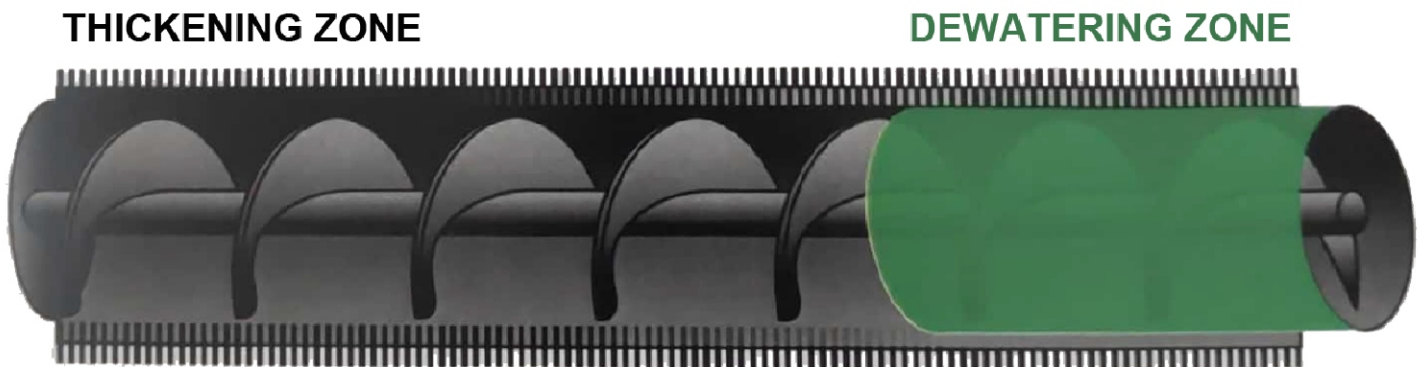
FINE | LIQUID - SOLID SEPARATION SYSTEM

Sludge dewatering system is comprised of a flocculation tank equipped with agitator and screw press for dewatering of sludge.

The dewatering system has a built in cylinder which encloses the rotating screw. The cylinder is constructed with fixing of alternate placement so fixed rings, moving rings and spacers. The screw rotating inside the cylinder has two operating zones, i.e., the thickening zone and the dewatering zone.

WORKING PRINCIPAL

The waste water enters the dewatering machine. The sludge then moves towards the sludge cake outlet under pressure of helical screw blades. Since, the pitch becomes narrower towards the outlet of sludge cake, so the sludge starts dewatering due to heavier pressure. The water comes out from the space between the fixed and moving plates and the sludge is discharged for the sludge outlet.



ADVANTAGES

- Suitable for continuous operation
- Low power consumption
- Low vibration, low noise
- Small foot print area for installation
- Clog free operation
- Suitable for oily sludge
- No thickening unit is required

APPLICATIONS

- STP (Municipal Sewage Sludge)
- Dying Plant
- ETP (Primary & Secondary)
- Slaughter House
- Oil Refinery
- Tannery Sludge
- Sludge from DAF
- Solid Fuel Boiler Scrubber Water

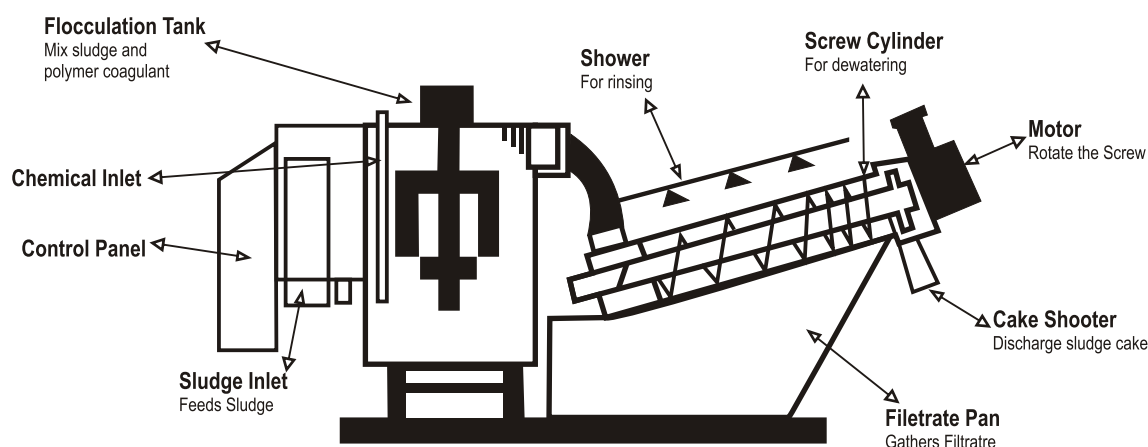
COMPARISON

Sr. No	Description	Dewatering Machine	Decanter Centrifuge
1.	Operation	Continuous	Continuous
2.	Power	Quite less (for example for 3M ² /hr the power required is (0.75HP)	More (for similar flow of sludge requires 12.5HP or more)
3.	RPM	3-4	More than 3500
4.	Noise	Very low	Very high
5.	Maintenance	Low & easy	High & Tough
6.	Low Concentration Sludge	Very Good	Good
7.	Oily Sludge	Very Good	Not so Good

AVAILABLE MODELS

Sr. No	Model No	Flow rate @ 1% Solid Concentration M ³ /Hr	Cylinder Specification (mm)	Power Consumption (HP)	Dimension LxWxH (mm)	Rinsing Water (L.hr.)
1.	WV-7.5	0.5	1 x 75	0.36	1200x750x1000	20
2.	W-2-7.5	1	2 x 75	0.54	1200x910x1000	30
3.	WV-A10	1.5	1 x 110	0.50	2100x750x1100	30
4.	WV-2A10	3.0	2 x 110	0.75	2100x1050x1100	60
5.	WV-3A10	4.5	3 x 110	0.75	2100x1400x1100	40
6.	WV-B10	6.0	1 x 210	0.75	3050x900x1800	80
7.	WV-2B10	12.0	2 x 210	1.25	3050x1400x1800	80
8.	WV-B50	9.0	1 x 250	1.25	3400x1000x2100	100
9.	WV-2B50	18.0	2 x 250	2	3400x1550x2100	200
10.	WV-C50	25	1 x 350	2	4100x1100x2200	200
11.	WV-2C50	50	2 x 350	3.5	4100x1600x2200	300
12.	WV-3C50	75	3 x 350	5.25	4100x2100x2200	450

SCOPE OF SUPPLY





FINE EQUIPMENTS

(India) Pvt. Ltd.



FINE EQUIPMENTS (India) Pvt. Ltd.

Behind Shroff Shrushti

Off Mumbai - Bangalore Highway

Mahalunge, Pune - 411 045.

Landmark: Mercedes Benz showroom

Mobile: 9004 046 769 / 8380 045 027

website: www.fineequipment.net

email: info@fineequipment.net