

# MT86H



**RELIABILITY  
IN ACTION**



[www.fineequipment.net](http://www.fineequipment.net)

**FINE EQUIPMENTS**



Made for Mining Application



Reliable and Durable



Energy-efficient & Pro-environment



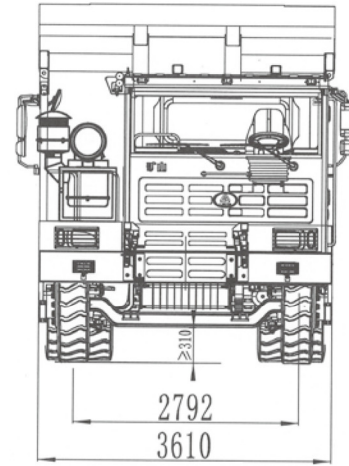
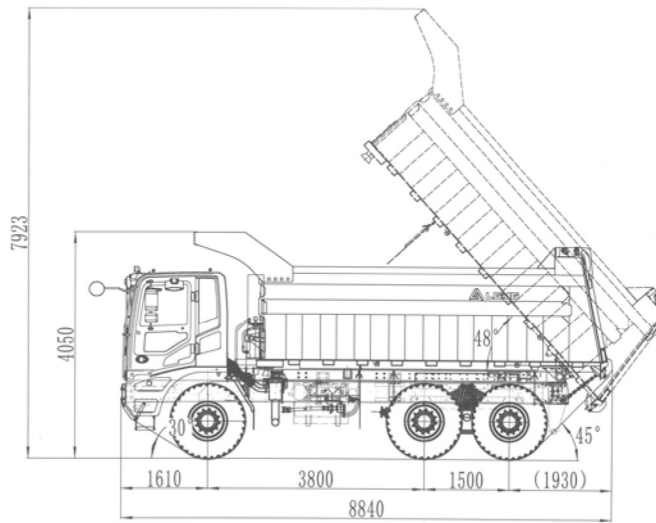
Intelligent Control



**SUPER HEAVY DUTY  
MACHINE FOR OFF THE ROAD**

# MT86H

- ⊗ Performance features: stable and reliable, comfortable and efficient, easy to maintain, all-round star products
- ⊗ Working conditions: gravel and earth-rock mixed, for large stone factory, open-pit mines, non-ferrous metal mines and other medium and large open-pit mines



| Model                     | MT86H                    |
|---------------------------|--------------------------|
| <b>(Performance)</b>      |                          |
| (Loading capacity)        | 55000(t)                 |
| (Curb weight)             | 31000(kg)                |
| (Total weight)            | 860000(kg)               |
| (Overall dimension)       | 9070x3550x3960(mm)       |
| <b>(Engine)</b>           |                          |
| (Model)                   | WEICHAH WD12G420E211     |
| (Power)                   | 420(hp)                  |
| <b>(Transmission)</b>     |                          |
| (Model)                   | FAST 7DS200              |
| <b>(Axle)</b>             |                          |
| (Front & Rear)            | 20+35+35(t)              |
| <b>(Tire)</b>             |                          |
| (Size)                    | 14.00-25-36PR            |
| <b>(Container volume)</b> |                          |
| (Struck/Heaped )          | 29.5/36(m <sup>3</sup> ) |



Fine Equipments (India) Pvt. Ltd  
 Fine Centre, Behind Shroff's Srushti,  
 Off Mumbai - Bangalore Highway, Mhalunge,  
 Pune 411045. INDIA.

Tel: +91 20 2980 8962  
 Mob: +91 83082 88600  
 Email: [info@fineequipment.net](mailto:info@fineequipment.net)  
 Web: [www.fineequipment.net](http://www.fineequipment.net)



# MT96H



**RELIABILITY  
IN ACTION**



[www.fineequipment.net](http://www.fineequipment.net)

**FINE EQUIPMENTS**



Made for  
Mining  
Application



Reliable  
and  
Durable



Energy-efficient &  
Pro-environment



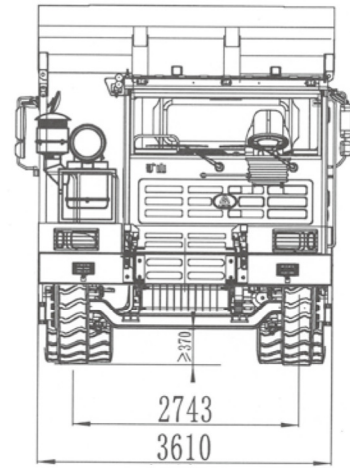
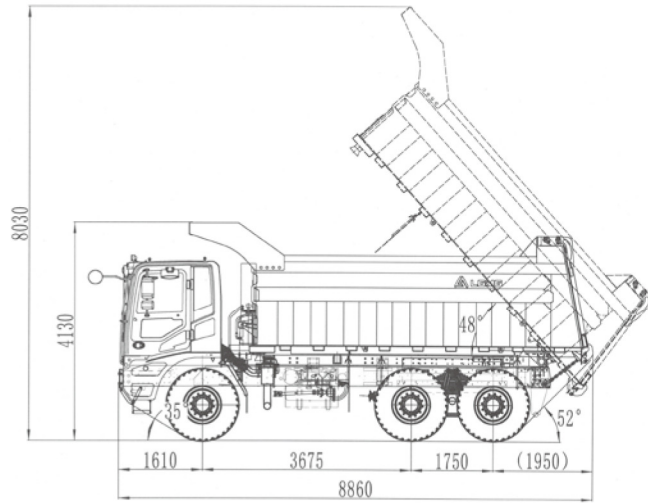
Intelligent  
Control



**SUPER HEAVY DUTY  
MACHINE FOR OFF THE ROAD**

# MT96H

- ⊗ Performance features: large tonnage, large tyres, high pass
- ⊗ Working conditions: gravel and earth-rock mixed, for extra-large stone factories, open-pit mines and non-ferrous metal mines and other extra-large open-pit mines



| Model                      | MT96H                    |
|----------------------------|--------------------------|
| <b>(Performance)</b>       |                          |
| (Loading capacity)         | 60000(t)                 |
| (Curb weight)              | 35000(kg)                |
| (Total weight)             | 950000(kg)               |
| (Overall dimension)        | 8900×3670×4140(mm)       |
| <b>(Engine)</b>            |                          |
| (Model)                    | WEICHAI WP13G530E310     |
| (Power)                    | 530(hp)                  |
| <b>(Transmission)</b>      |                          |
| (Model)                    | FAST 8DS240A             |
| <b>(Axle)</b>              |                          |
| (Front & Rear)             | 20+35+35(t)              |
| <b>(Tire)</b>              |                          |
| (Size)                     | 16.00-25-36PR            |
| <b>(Container volume )</b> |                          |
| (Struck/Heaped )           | 31.5/38(m <sup>3</sup> ) |



Fine Equipments (India) Pvt. Ltd  
 Fine Centre, Behind Shroff's Srushti,  
 Off Mumbai - Bangalore Highway, Mhalunge,  
 Pune 411045. INDIA.

Tel: +91 20 2980 8962  
 Mob: +91 83082 88600  
 Email: info@fineequipment.net  
 Web: www.fineequipment.net

