

**FINE Equipments
(India) Pvt. Ltd.**



SAND MAKING VSI

FINE Equipments (India) Pvt. Ltd.

Fine Centre, Behing Shroff Shrushti, Off/ Mumbai - Bangalore Highway,
Mahalunge, Pune - 411045. Maharashtra State

 **83082 88600**

website: www.fineequipment.net

email: info@fineequipment.net

Technical Specification

ROCK ON ROCK DESIGN

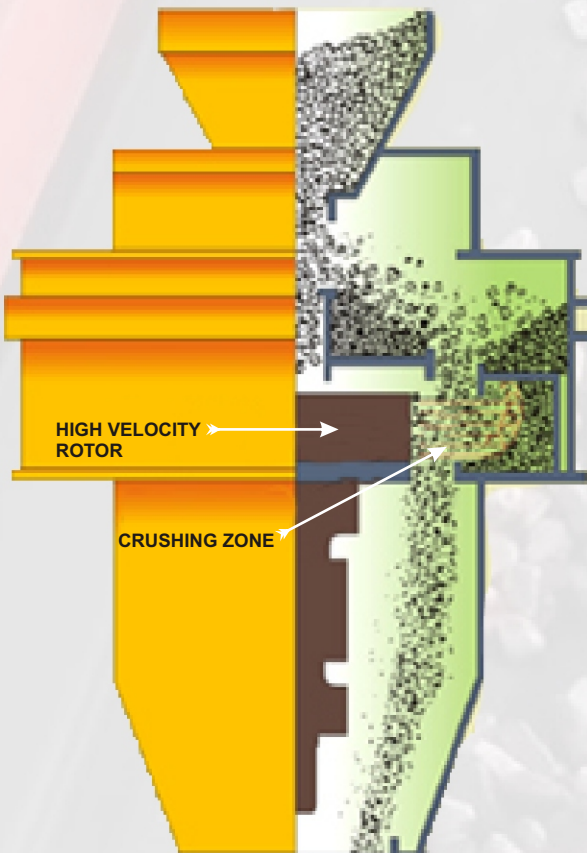
Sr. No.	Description	VSI-615	VSI-800	VSI-800(S)	VSI-1000(S)	VSI-850	VSI-1500
1.	Max feed size (mm)	(-) 10	(-) 15	(-) 20	(-) 25	(-) 30	(-) 40
2.	Rotor Ø (mm)	600	800	800	1000	800	1000
3.	RPM	2190	1650	1650	1399	1659	1250
4.	Electric Motor (HP)	40/60	75	100/120	180	150/180	200
5.	Throughput Capacity (TPH)	20	30	40	50	125	150
6.	Output Product	Sand only	Sand only	Sand only	Sand only	Sand + aggregate	Sand + aggregate
7.	Weight of Machine (kg) approx.	3400	5820	6550	10250	5100	12500

COMPARATIVE COMPRESSIVE STRENGTH

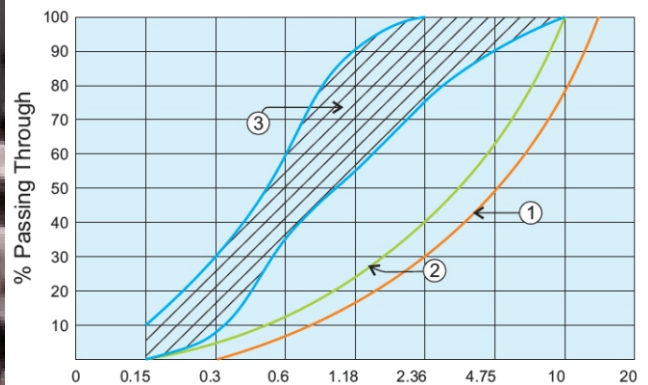
(Based on 28 days, M 150. Concrete Cubes) (Laboratory Test Results)

TYPE OF SAND	AVERAGE CRUSHING STRENGTH
Natural Sand	228 Kg/sq. cm.
VSI-Crushed Sand	248 Kg/sq. cm.

Schematic Diagram



Product output for different feeds for sand only models



I.S. SIEVES

1. Feed (-) 15 mm & 20 mm
2. Feed (-) 10 mm
3. Shaded Portion - Sand as per Zone 2 - IS33 - 1970

Special Features:

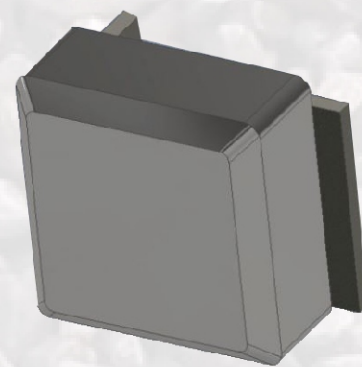
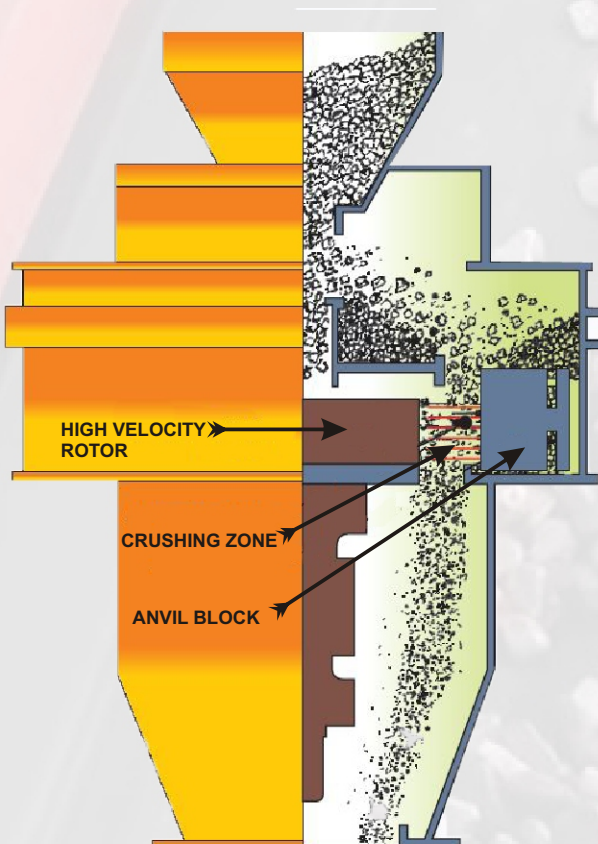
1. Well Graded sand.
2. Control over particle size
3. Converts grit to graded sand
4. Silt free sand
5. Cubicle Aggregate > 70%*
6. Higher Throughput to Power ration*



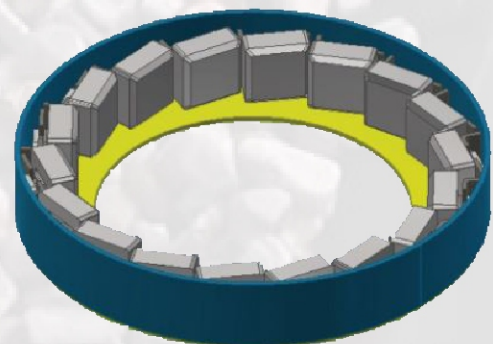
Technical Specification

ROCK ON METAL DESIGN

Sr. No.	Description	VSI-A-615	VSI-A-800	VSI-A-800(S)	VSI-A-1000(S)
1.	Max feed size (mm)	(-) 10	(-) 15	(-) 20	(-) 25
2.	Rotor Ø (mm)	600	800	800	1000
3.	RPM	2190	1650	1650	1399
4.	Electric Motor (HP)	40/60	75	100/120	180
5.	Throughput Capacity (TPH)	30	45	60	75
6.	Output Product	Sand only	Sand only	Sand only	Sand only
7.	Weight of Machine (kg) approx.	3770	6780	7410	11200



ANVIL BLOCK



CAVITY RING WITH ANVIL BLOCK



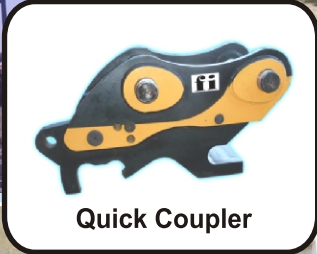
Mini Excavator



Motor Grader



Sand Washing Plant



Quick Coupler



Truck Mounted Crane



Mini Crawler Crane



FINE Equipments (India) Pvt. Ltd.

Fine Centre, Behing Shroff Shrushti, Off/ Mumbai - Bangalore Highway,
Mahalunge, Pune - 411045. Maharashtra State

☎ 83082 88600

