



# HEMAN 175

SKID STEER LOADER

STYLISH MULTITASKING  
POWERFUL ATTACHMENT  
SPECIAL DESIGN  
SAFETY

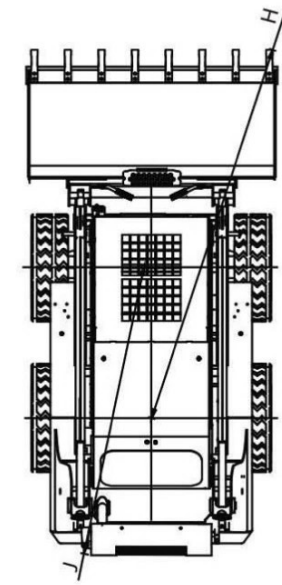
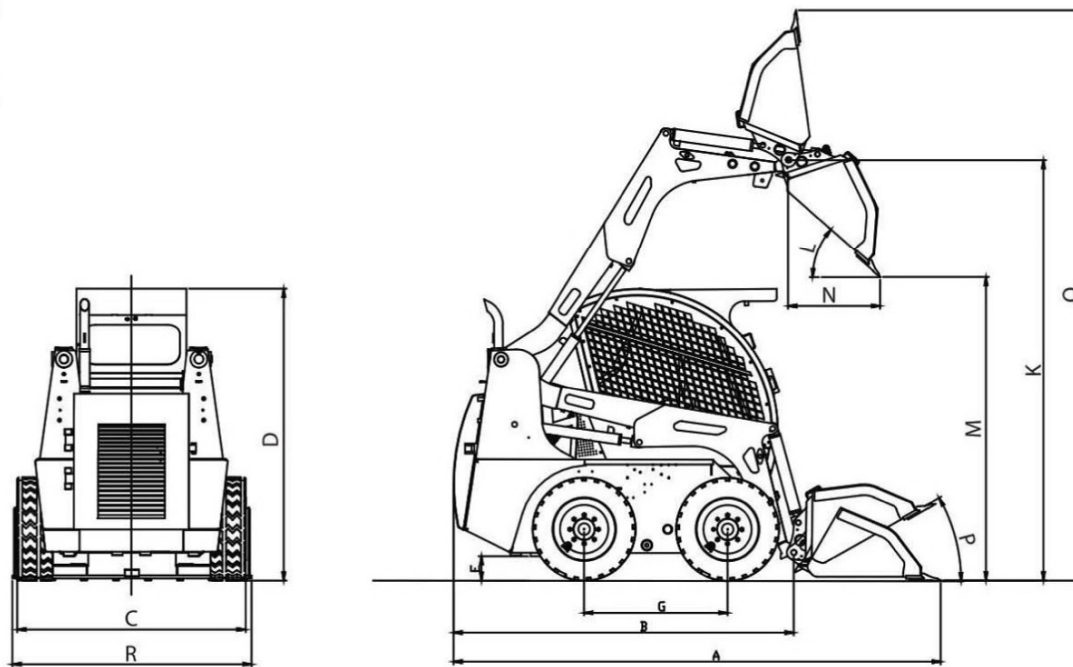


[www.fineequipment.net](http://www.fineequipment.net)



**FYN**  
TECHNOLOGIES PVT. LTD.

# HEMAN 175 SKID STEER LOADER



## DIMENSIONS

	mm/deg
A - Length with bucket	3475 / 3621
B - Length without bucket	2570
C - Width with tyres	1650
D - Overall Height	2100
E - Ground clearance	190
F - Departure angle rear	26
G - Wheelbase	1023
H - Turning radius rear corner	2000 / 2134
J - Turning radius bucket corner	2680
K - Pin height	3022
L - Dump angle	40
M - Dump Height	2210
N - Reach at dump height	642
P - Roll back angle at ground	28
Q - Max reach at full height	4000
R - Bucket width (Standard)	1708

## FEATURES

- Multi-disc parking brakes
- Gear drive
- Front cab access
- Fuel water trap
- Hydraulic parallel lift
- Adjustable seat
- Instruments audio/visual
- Instruments
- Dual element air cleaner
- Chassis-rigid fully welded high tensile steel structure
- Roof window for enhanced operating visibility.
- Rear window for emergency exit.
- Heavy duty gear boxes with slip-free gears.
- Axles of high ductile forgings, self lubricating.

### Mechanical hitch for quick change of attachments.

- Ergonomically designed seat, user friendly controls.
- Visual and audio warning to prevent system failures.
- Adequate inbuilt safety measures for operator/machine.
- Hydraulic tilt back cabin for maintenance ease.
- Easy to maintain and service with normal tools.

## TRANSMISSION

- Hydrostatic 4X4 independent drive through Tandem variable displacement axial pumps
- Fixed displacement low speed high torque geroler motors
- Final drive through positive gear boxes**

## TYRES

Front/ rear	10X16.5-10/8PR
Max. travel speed	13 kmph

## SPECIFICATION

SAE Operating weight	2900/2965Kgs
Standard bucket capacity	0.40 / 0.46 cum
Maximum lift height	2955 mm
Time to raise lift arms fully	3-5 Sec.
Breakout force-bucket	1885Nm
Breakout force-lift arm	1445Nm

## STANDARD FEATURES

- Auxiliary hydraulics
- Cab - swing up
- Tubeless tyres
- Key stop
- Lift arm stop
- Lifting eyes
- Working light
- Quick hitch
- Roof window
- Safety Seat belt
- Air Cleaner clog warning indicator
- Battery charge indicator
- Charge pump pressure
- Coolant temperature gauge
- Engine oil pressure
- Fuel level gauge
- Hour counter
- Hydraulic oil temperature gauge
- Cabin light
- Rear window for emergency exit
- Hydraulic clog indicator
- Fuel clog indicator
- Cab with front door lock
- Rear view mirrors
- Wiper motor with wiper blade
- Cabin fan
- Head lights with side indicators
- Tool kit
- 4 chamber tail lamps

## HYDRAULICS

Engine driven gear pump with valve block, twin arms lift cylinder with end cushion and bucket cylinders.	
Flow (Liters per min)	80
Working pressure (bar)	175

## ELECTRICALS

12 volts negative earth system with battery isolator	
Battery	130AH/150 AH
Low maintenance alternator	35 / 65Amp
Starter motor	12 V

## BRAKES

- Service brake: Hydraulically activated and released multi plate Fade free breaks from integral part of drive motors.
- Parking Brake: Electrically activated

## CAPACITIES

Fuel system	62 Liters
Engine lub oil	8.5 / 9.0 Liters
Engine coolant	16 Liters
Transmission	14 Liters
Hydraulic system	70 Liters

## PERFORMANCE

Rated operating capacity	600-750 Kgs
Tipping load	1200-1500 Kgs

## ENGINE

### BS III Model

Simpson S433 Industrial BS III, 35.79kW/ 48HP/ 48.67PS @2200rpm 4 Cylinder, Liquid Cooled, Diesel Engine, Naturally Aspirated

### BS IV Model

Simpson SJV436 Industrial BS IV, 54kW/ 72.5HP / 73.5PS @2200rpm, 4 Cylinder, Liquid Cooled, Diesel Engine, Turbo Charged Intercooled

## ATTACHMENTS

- 6 IN 1 Bucket
- Sweeper collector
- Ripper tooth
- Backhoe
- Excavator Bucket: 300mm,450mm,600mm & Ditch Cleaning bucket.
- Pallet Forks
- Industrial grappler
- Rock breaker
- Snow blower
- Steel tracks(Track over tyres)
- Rubber tracks (Track over tyres)
- Post hole borer/ Auger
- Shredder
- Snow Blade
- Stump Grinder
- Trencher
- Side Tip Bucket
- High Tip Bucket

## OPTIONAL

- Heavy duty tyres/ Solid tyres -Tubeless
- Buckets: Varying capacities upto 0.65 cum limited to machine rating operating capacity.
- Servo Variant also available

**Note :** All dimensions are variable within  $\pm 1.5\%$ . VAEPL reserves the right to change specifications without prior notice

## FYN Technologies Private Limited

Fine Centre, Behind Shroff's Srushti, Off Mumbai - Bangalore Highway, Mhalunge, Pune 411045. INDIA.

MOB: 830 82 88 600 , 93 264 399 21

E: info@fyntpl.com W: www.fineequipment.net

Authorised Dealer: